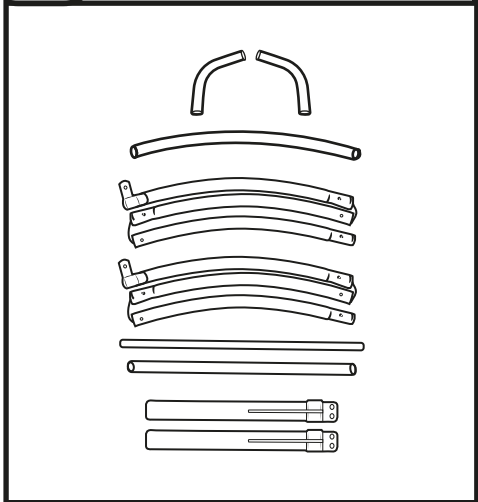


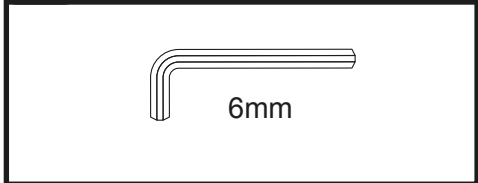
Formulate Wave



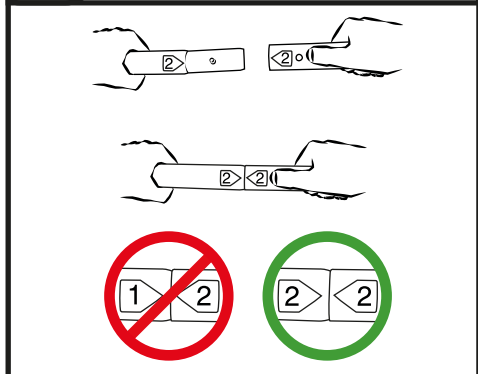
PARTS (NOT TO SCALE)



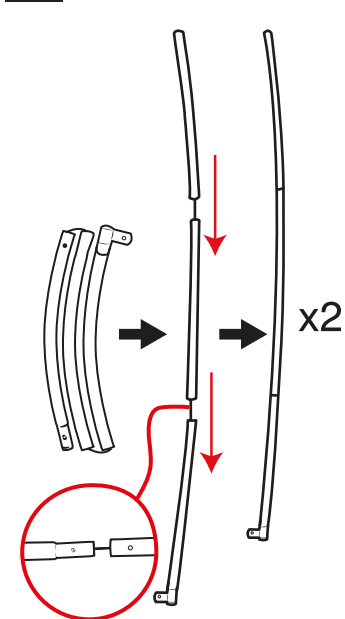
TOOLS REQUIRED



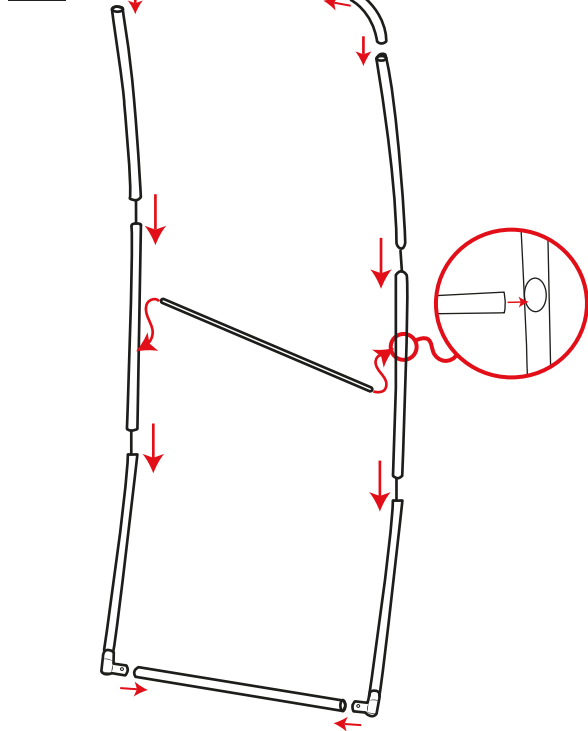
FOR ATTENTION



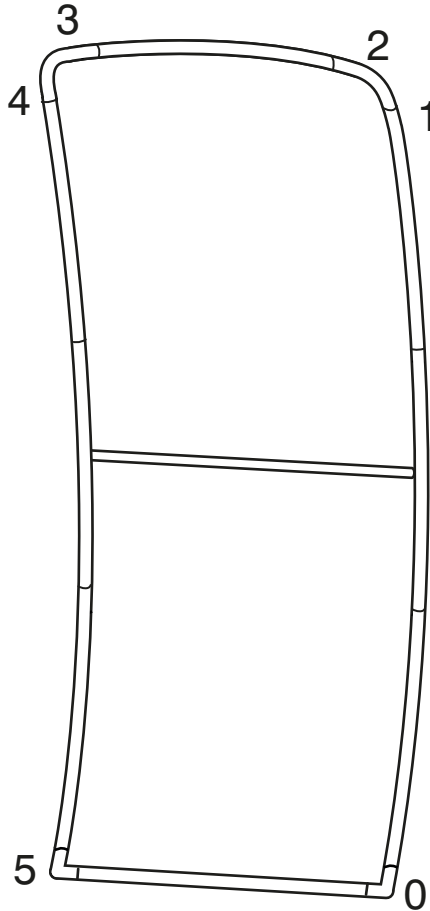
1

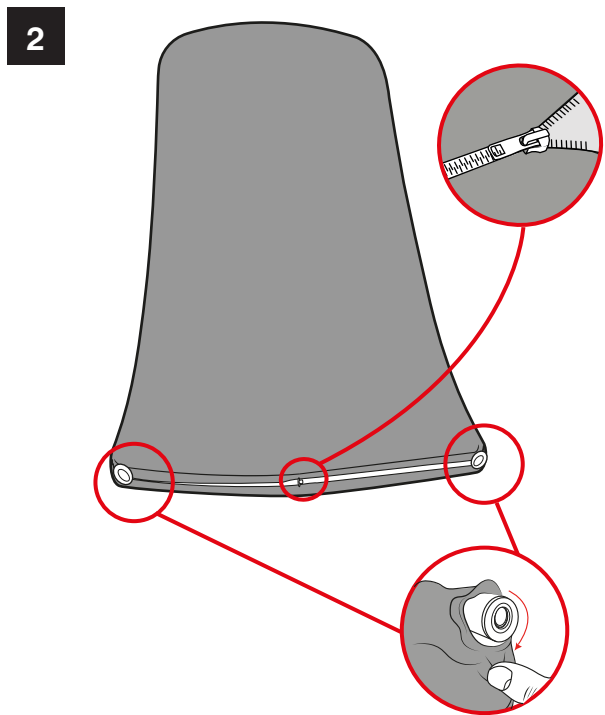
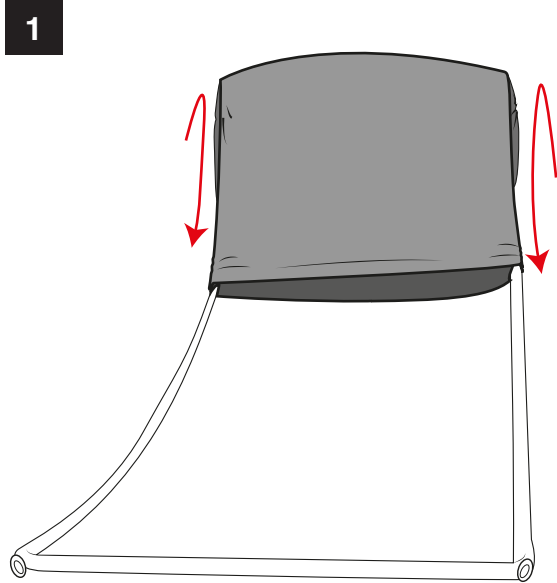


2

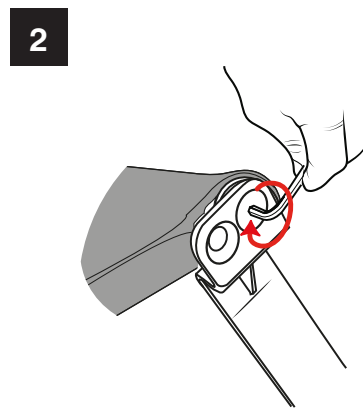
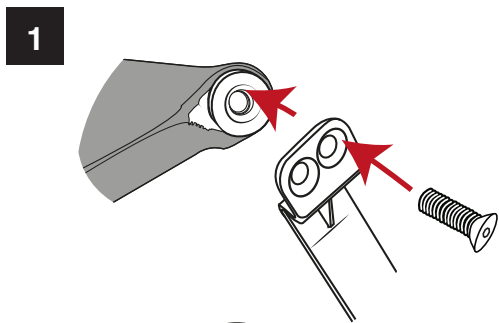


3





ATTACHING FEET



Note: Repeat process for second foot

